



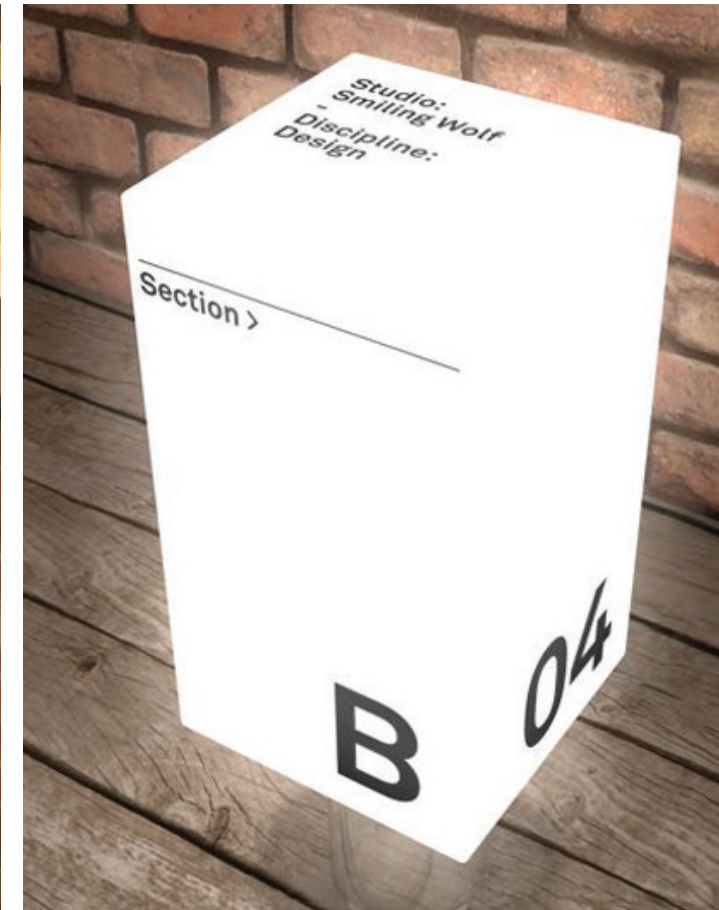
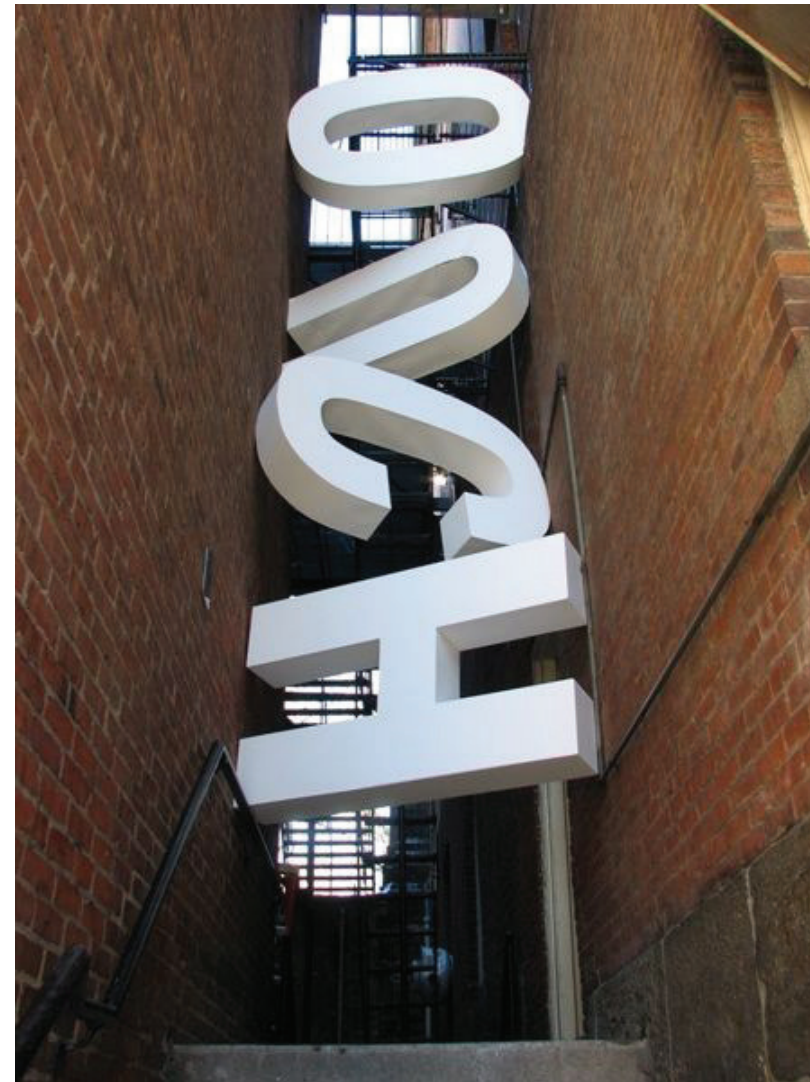
OPTION 1
3D LETTERS





OPTION 2

3D LIGHT BOX LETTERS



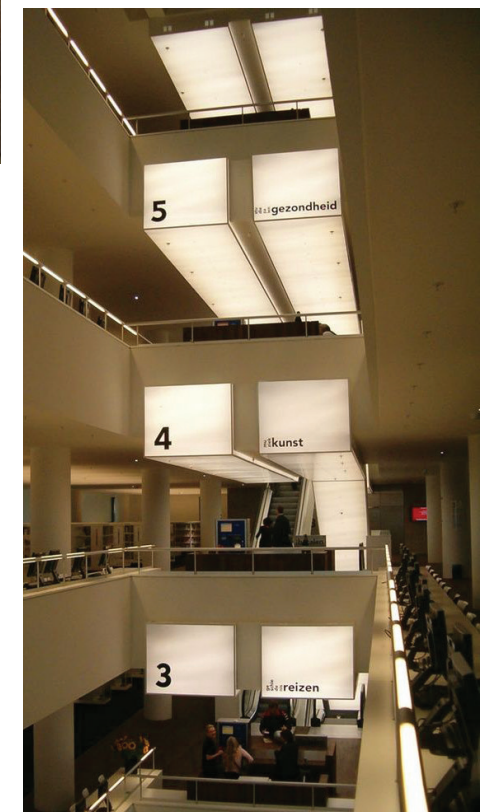
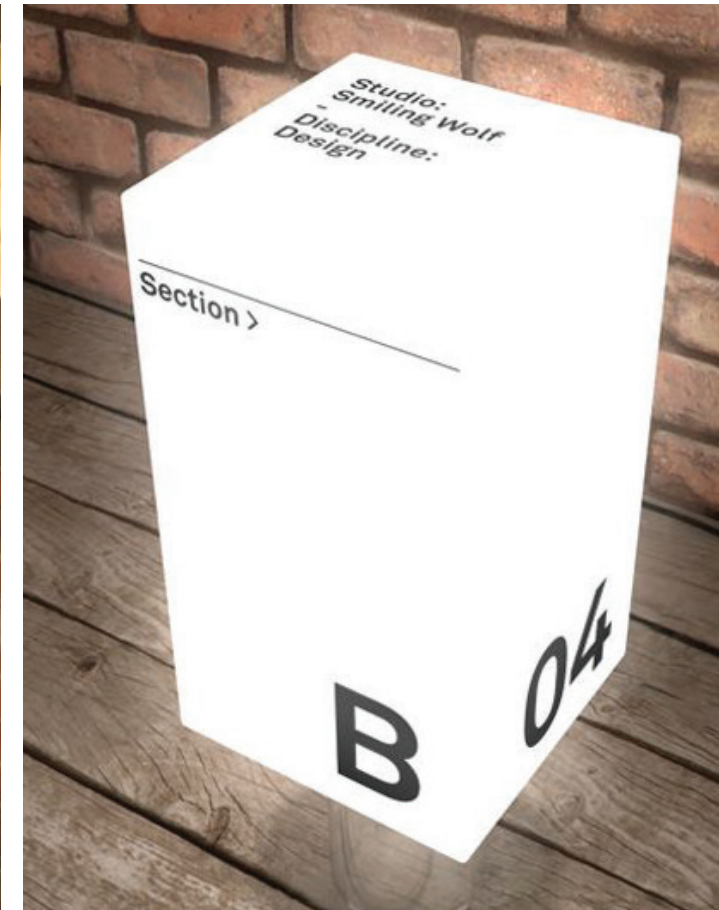
• Not shown: Top of "T" would cut into ceiling.





OPTION 3

3D LIGHT BOX LETTERS





OPTION 4
3D LETTERS





OPTION 5
NEON TUBE LIGHTS



• Black material behind lights would be equivalent of the reflective material on elevators and the below PRADA sign.

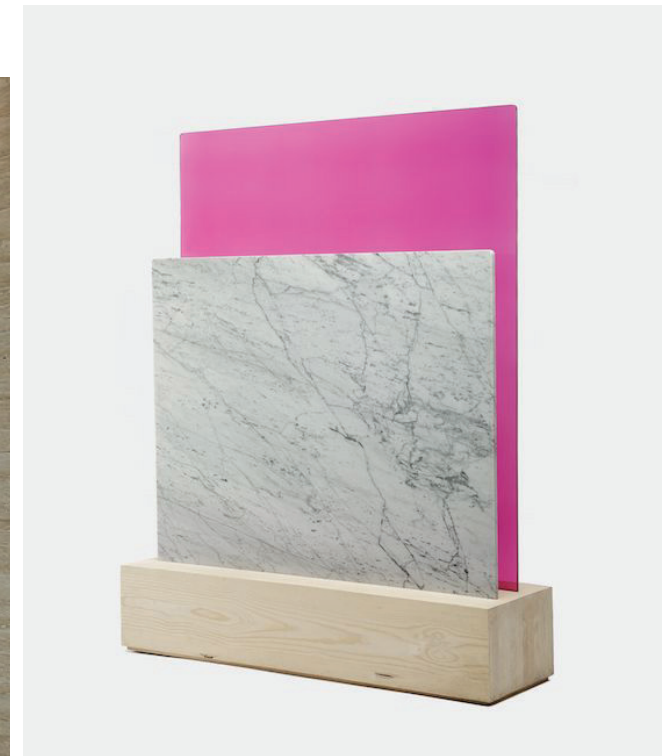


OPTION 6

LIGHT BOX WITH CMT CUT OUT WITH VINYL FLOOR INFORMATION



- Black material would be equivalent of the reflective material on elevators and the above PRADA sign.
- Stainless steel base.
- Vinyl gray letters. Can be easily updated.





OPTION 7

LIGHT BOX WITH CMT CUT OUT LEANED AGAINST THE WALL



• Black material would be equivalent of the reflective material on elevators and the above PRADA sign.



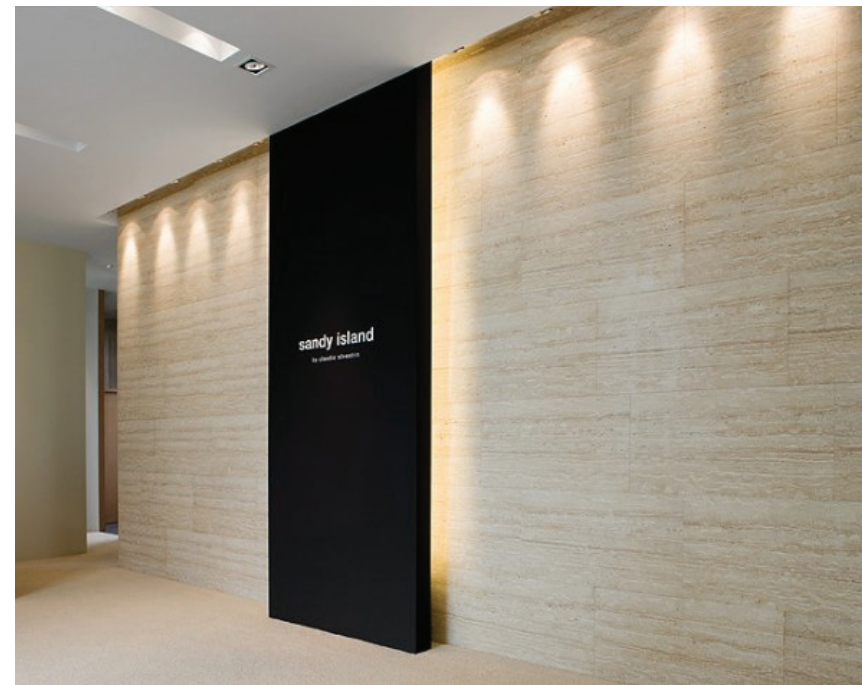


OPTION 8

LIGHT BOX WITH CMT CUT



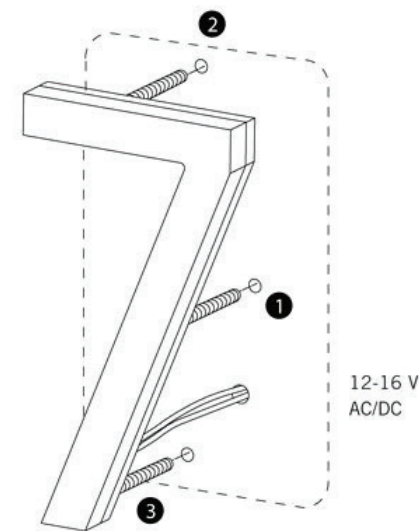
- *Black material would be equivalent of the reflective material on elevators and the above PRADA sign.*
- *Concerned about covering up security camera.*





OPTION 9

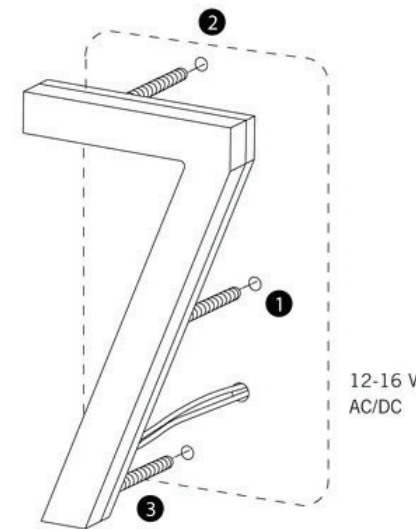
STAINLESS STEEL LETTERS WITH LIGHT BEHIND





OPTION 10

STAINLESS STEEL LETTERS WITH LIGHT BEHIND and FLOOR INFO

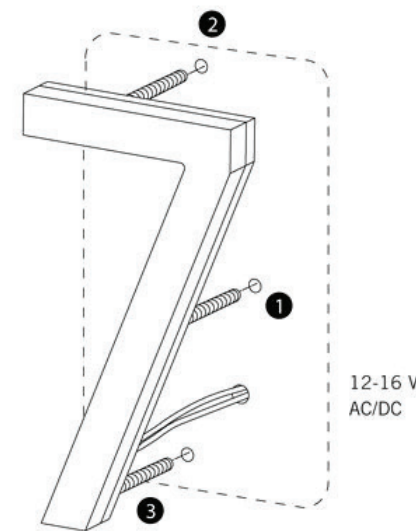


• Floor information displayed on acrylic with vinyl letters.



OPTION 11

STAINLESS STEEL LETTERS WITH LIGHT BEHIND



- 2 different layers of dimension.
Letters on top of the acrylic piece.



FLOOR INFO. OPTION BETWEEN ELEVATORS

When the center focus is just "CMT." The floor information can be between the elevators. Vinyl would be easily replaceable.